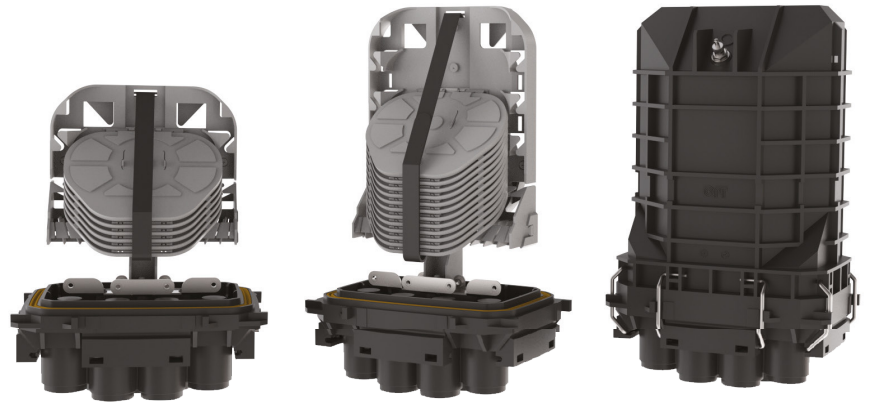


Max Closures



Optotec Max closures are ideal for FTTH network deployment and less dense rural fibre roll-outs

MAX range of closures offer a modern and ergonomic solution for cable termination and splicing needs. The aesthetically designed closures are small in size (4L and 6L volumes) resulting in enormous cost savings and making them the ideal choice for fast installation in space constraint locations.

MAX is an environmentally sealed single-ended “dome-type” closure for the fibre management system that provides the functions of splicing and passive component integration in the outside plants. They are optimized for micromodule cables and can also be used with other cable types like Intermittently Bonded Ribbon (IBR) and dielectric cables. The closures have provision for all the common cable diameters.

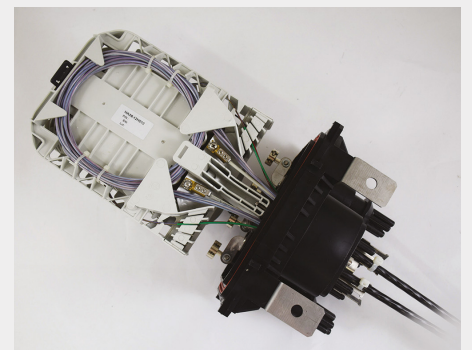
The base and the dome are sealed by a quad-lock clamp-gasket system. MAX project is naturally compliant with FTTH requirements and to safety requests about overpressure.

One oval entry port for looped (uncut) cable and four round ports for drop cables entry/exit are provided in the base.

Cable entries are for cold applied kits (no flame needed, small diameter cables accepted). Uncut midspan tube storage space is available on the back of the stack.

APPLICATIONS

- FTTH networks
- Aerial, pedestal, underground environment
- Rural fibre roll-outs
- Butt Cable Installation



TECHNICAL FEATURES

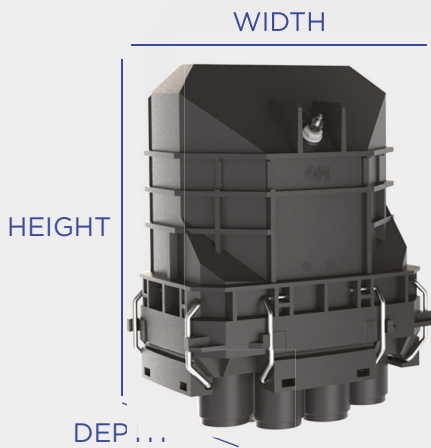
- Compatible with different fibre types like G652 and G657
- Cassette system suitable for heatshrinkable (SMOUV) or mechanical (ANT)
- For easy mid span access, one oval port is available, which is suitable for 5mm-20mm cables
- For drop cable entry, 4 round ports are available, which are suitable for 2.5mm- 20mm cables
- Positive fibre management - respected min. 30 bend radius - uncut fibres cable management
- Cold apply kits only
- IP68 and IK10 rated highly reliable closures
- Easy to use and user friendly latch closing system
- Suitable operating temperature range: -40°C up to +70°C
- ROHS Compliant

MAX 4 (For 144F)

UP TO 2 SAMR SPLICE REDUCED MODULES

MAX 6 (For 288F)

UP TO 4 SAMR SPLICE REDUCED MODULES



HEIGHT 240 mm
 WIDTH 210 mm
 DEPTH 145 mm



HEIGHT 312 mm
 WIDTH 210 mm
 DEPTH 145 mm

MAX - ORDERING INFORMATION

SERIE NAME	VOLUME IN LITERS	CONFIGURATION	TYPE
MAX	4	BASIC (Customized version available)	NN = with valve
	6		NV = without valve

SPLICE CAPACITY OF MAX

In every max closure is possible to install our samr-hd, high density splice array modules. Choose yours samr-hd splice module.

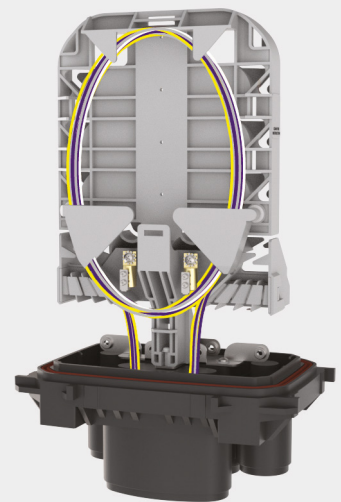
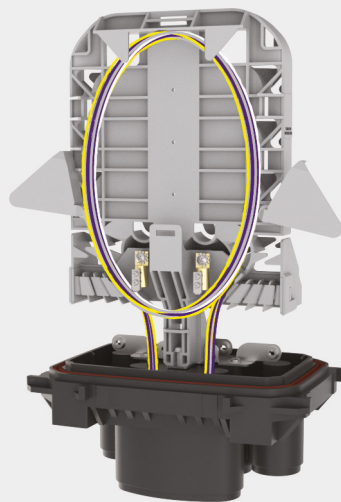
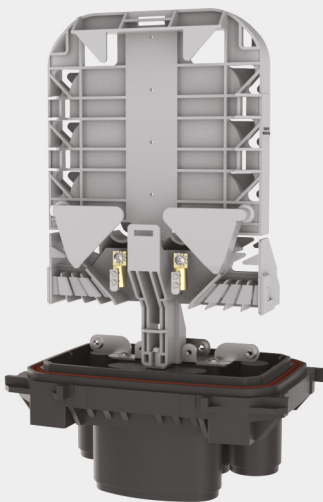
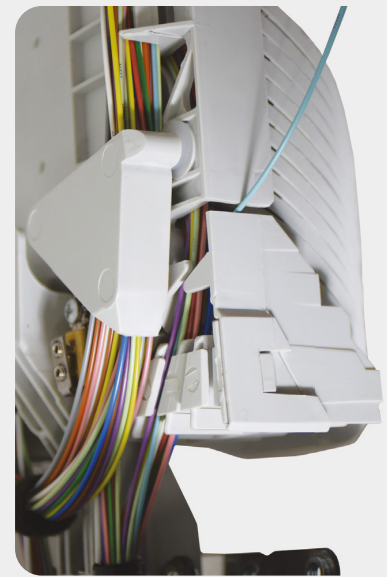
Max

Small Closures, Big Heart

The innovative design of MAX closures is the result of working closely with the installers.

Our attention to queries from the field pushed our RnD team to patent a reliable and compact method to store the pass through cable modules.

With focus on ergonomic design and faster installation, MAX closures come with rotatable tube retention lips. This results in enormous cost and time savings during installation and maintenance.



STORAGE	LT 2.3mm MODULES	NG MICROLITE 1.65mm MODULES	YOGALITE 1.3mm MODULES
MAX 4	4x (200cm)	8x (200cm)	24x (200cm)
MAX 6	6x (220cm)	8x (250cm)	24x (250cm)

MAXKIT FOR CABLES FIXING

To make installation and maintenance easy, STL has developed a new way to secure the closure to the wall and pole. A compact bracket can be permanently fixed to the wall (by anchoring clamps) or to the pole (by metal band wrap*). The closure is easily mountable on the bracket with the help of 2 cotter pins. This method guarantees secure installation of the closure in any environmental and mechanical condition. This mechanism also allows for easy operations during any maintenance and upgrade activity. Available but not included on the standard kit.

POLE



WALL



Max cold sealing

CCSO-CCSR MAXKIT

KIT CODE AND PICTURE	SEALING TYPE	CABLE MANAGEMENT CAPACITY	
		MAX CABLES NO.	CABLE Ø RANGE MIN-MAX
MAXSEALKIT-CCSO-2x20 	OVAL COLD SEALING	2	10-20 mm
MAXSEALKIT-CCSO-2x14 	OVAL COLD SEALING	2	10-14 mm
MAXSEALKIT-CCSO-4x10 	OVAL COLD SEALING	4	5-10 mm
MAXSEALKIT-CCSR-1x20 	ROUND COLD SEALING	1	15-20 mm
MAXSEALKIT-CCSR-1x14 	ROUND COLD SEALING	1	10-14 mm
MAXSEALKIT-CCSR-2x12 	ROUND COLD SEALING	2	8-12 mm
MAXSEALKIT-CCSR-4x10 	ROUND COLD SEALING	4	7-10 mm
MAXSEALKIT-CCSR-6x8 	ROUND COLD SEALING	6	7-8,6 mm
MAXSEALKIT-CCSR-8x6 	ROUND COLD SEALING	8	4-6,4 mm
MAXSEALKIT-CCSR-16x3 	ROUND COLD SEALING	16	0-3 mm
MAXSEALKIT-CCSR-4xR95 	ROUND COLD SEALING	4	FLAT CABLES 8,5-7 mm 5-4 mm