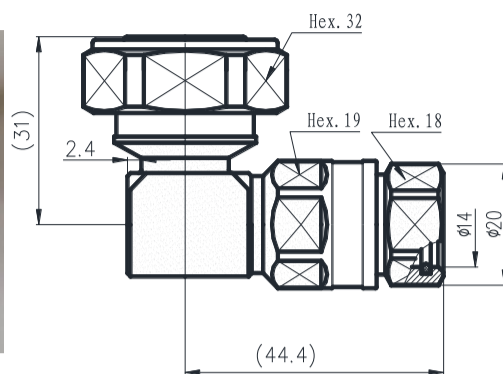


Product Specification

7/16MA-1/2”H



7/16 Right Angle male Connector for 1/2" Super Flexible RF Cable

ID: (01A)

202002Rev: A0

Material and Plating

Inner Conductor Pin	Brass / Silver Plating
Inner Conductor Socket	Tin Bronze / Silver Plating
Insulator	PTFE/TPX
Body & Outer Conductor	Brass / Trimetal Plating
Gasket	Silicon Rubber
Nut	Brass/Trimetal Plating

Electrical Specifications

Characteristics Impedance	50 Ohm
Frequency Range	DC~7.5GHz
Insulation Resistance	$\geq 5000M\Omega$
Dielectric Withstanding Voltage	4000V rms
Operating Voltage	2700V rms
Center contact resistance	$\leq 0.4 m\Omega$
Outer contact resistance	$\leq 0.2 m\Omega$
Insertion Loss	@DC-2.7 GHz $\leq 0.10dB$
VSWR	@0.8-1.0 GHz ≤ 1.10
	@1.7-2.7 GHz ≤ 1.13
PIM3(2*43dBm)	$\leq -155dBc$

Environmental & Mechanical Specifications

Durability (matings)	≥ 500 cycles
Mechanical Shock Test Method	MIL-STD-202, Method 213, Test Condition D
Vibration Test Method	MIL-STD-202, Meth. 204, Cond. A
Temperature Range	-65°C to +85°C
Salt spray test standard	IEC 60068-2-52(14 days alternating salt spray test)
RoHS	Compliant
Sealing Class	IP68 24hr, 1m, 20°C

Regulatory Compliance / Certification

ISO 9001:2015	Compliant
---------------	-----------

The facts and figures contained herein are carefully compiled to the best of our knowledge, but they are intended for general informational purposes only.