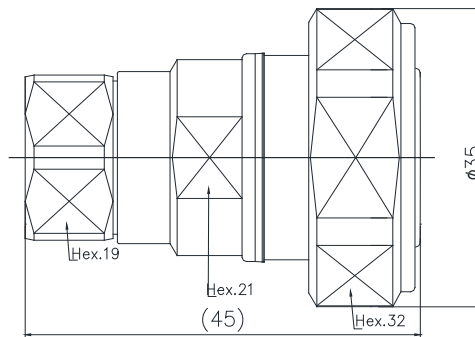


Product Specification

7/16M-1/2”H



7/16 Straight male Connector for 1/2" Super Flexible RF Cable

ID: (01A)

202001Rev: A0

Material and Plating

Inner Conductor Pin	Brass / Silver Plating
Inner Conductor Socket	Tin Bronze / Silver Plating
Insulator	PTFE/TPX
Body & Outer Conductor	Brass / Trimetal Plating
Gasket	Silicon Rubber
Nut	Brass / Trimetal Plating

Electrical Specifications

Characteristics Impedance	50 Ohm	
Frequency Range	DC~7.5GHz	
Insulation Resistance	≥10000MΩ	
Dielectric Withstanding Voltage	4000V rms	
Operating Voltage	2700V rms	
Center contact resistance	≤0.4 mΩ	
Outer contact resistance	≤0.2 mΩ	
Insertion Loss	@DC-2.7 GHz	≤0.10dB
VSWR	@0.8-1.0 GHz	≤1.08
	@1.7-2.7 GHz	≤1.10
PIM3(2*43dBm)		≤-155dBc

Environmental & Mechanical Specifications

Durability (matings)	≥500 cycles
Mechanical Shock Test Method	MIL-STD-202, Method 213, Test Condition D
Vibration Test Method	MIL-STD-202, Meth. 204, Cond. A
Temperature Range	-65°C to +85°C
Salt spray test standard	IEC 60068-2-52(14 days alternating salt spray test)
RoHS	Compliant
Sealing Class	IP68 24hr, 1m, 20°C

Regulatory Compliance / Certification

ISO 9001:2015	Compliant
---------------	-----------

The facts and figures contained herein are carefully compiled to the best of our knowledge, but they are intended for general informational purposes only.